

TYPICAL DESIGN FOR:

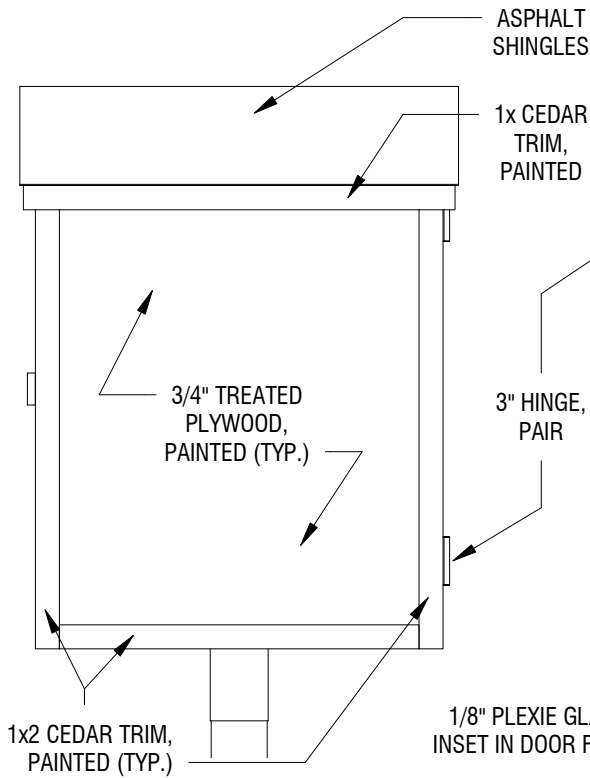
LITTLE FREE PANTRY

2925 N Old Missouri Rd | Fayetteville, AR 72703 | jessica@littlefreepantry.org

1.0

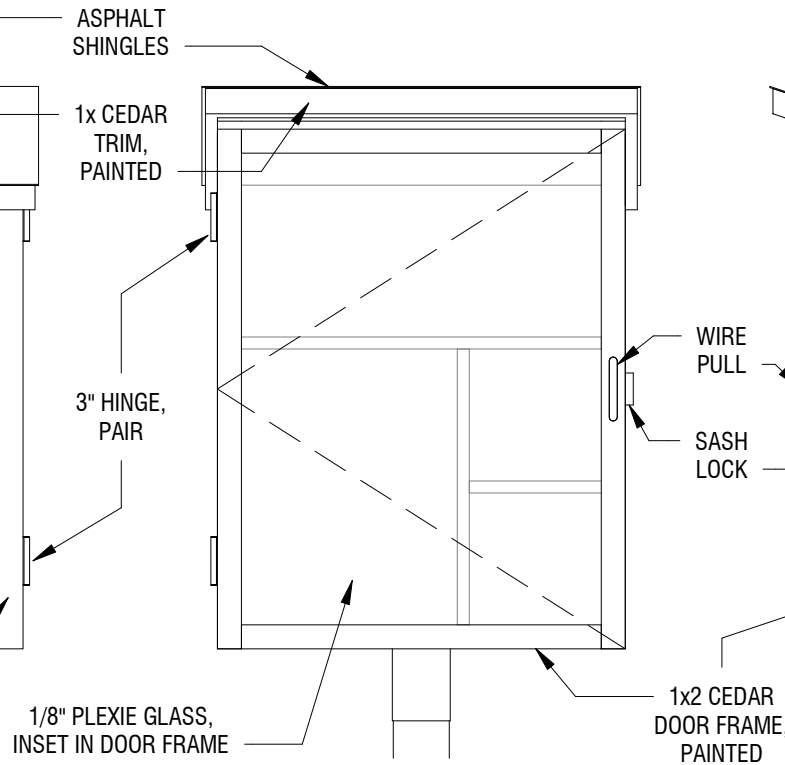
SCHEMATIC DESIGN

03/28/2017



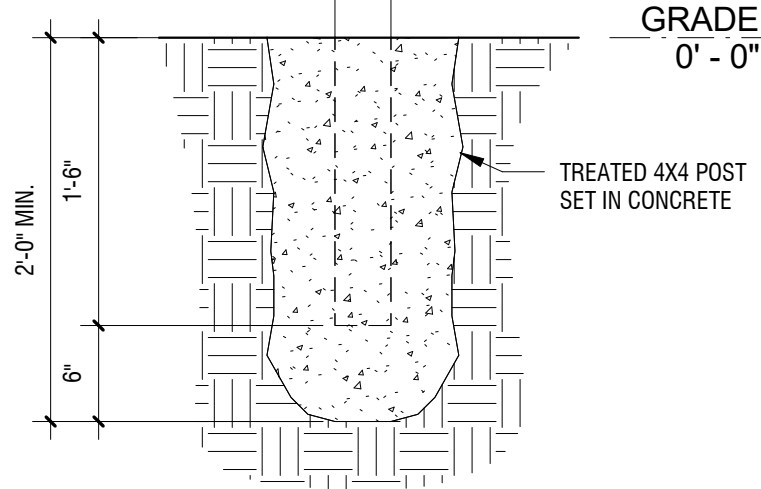
BACK ELEVATION

1" = 1'-0"



FRONT ELEVATION

1" = 1'-0"



TYP. SIDE ELEVATION

1" = 1'-0"



TYPICAL DESIGN FOR:
LITTLE FREE PANTRY
 2925 N Old Missouri Rd | Fayetteville, AR 72703 | jessica@littlefreepantry.org

2.0

SCHEMATIC DESIGN

03/28/2017

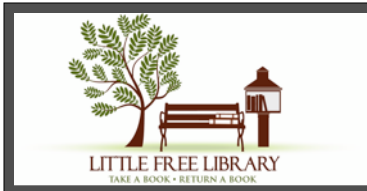
Here's what this first set of plans can help you build - a Little Library in the style of the Amish Cabin. Michael Kramer has put together some drawings and instructions for the basic structure. You can vary these any way you wish.



Could this be Bookus Binder, Little Library patron and reader? Yes...and she is eager to see what you can build. Go for it! We hope these plans make it easier for you.

A five foot 4" x 4" post put 24" in the ground will do the trick. No need to use cement. Just pack it tightly and make sure it's steady.

A little landscaping, some flowers or a bench can make your Little Free Library more inviting.



Little Free Library

Library Box - Builder's Kit Plans

www.littlefreelibrary.org

Plans by Michael Kramer

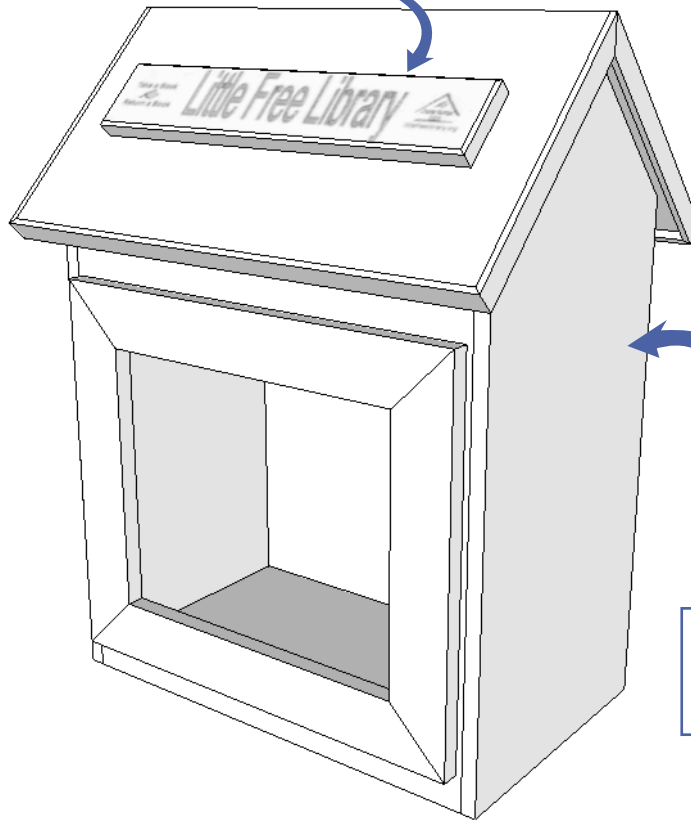
Be sure to leave room for your official Little Free Library sign. It identifies this structure with the registry number, lets people know you are part of an international movement, and tells patrons what to do: Take a book. Return a book.

LFL signs will be sent once your library is registered.

Keep in mind that rain and snow have a way of finding their way inside unless you have a substantial overhang here, tight seals in all joints, no holes in the roof and no holes that would let even a drop fall on the books. Double walls can make a big difference!

The apex of the roof will stay dry if you cover it with a piece of sheet metal.

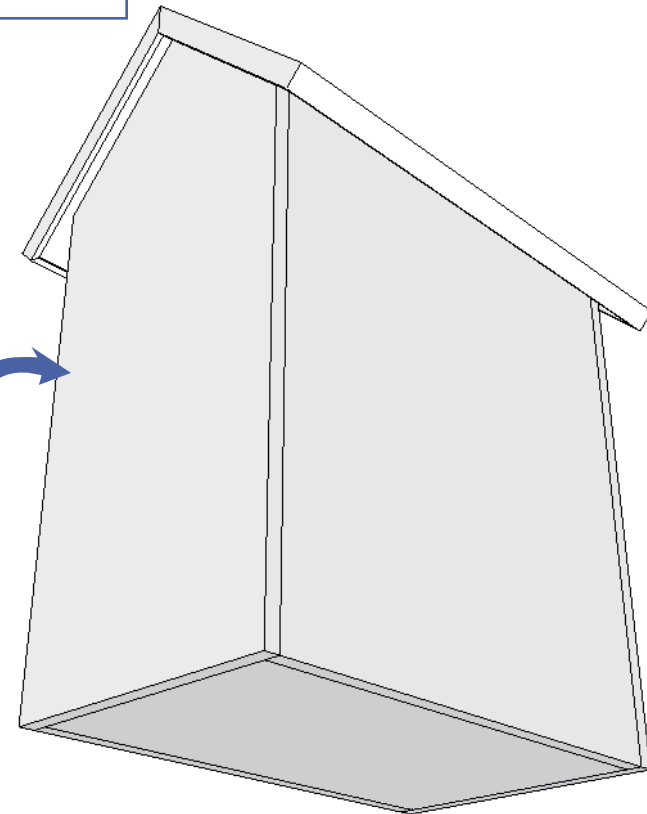
Want a window or some artwork here? Be creative or keep it simple.



Perspective View - Front

Not to scale

A
02

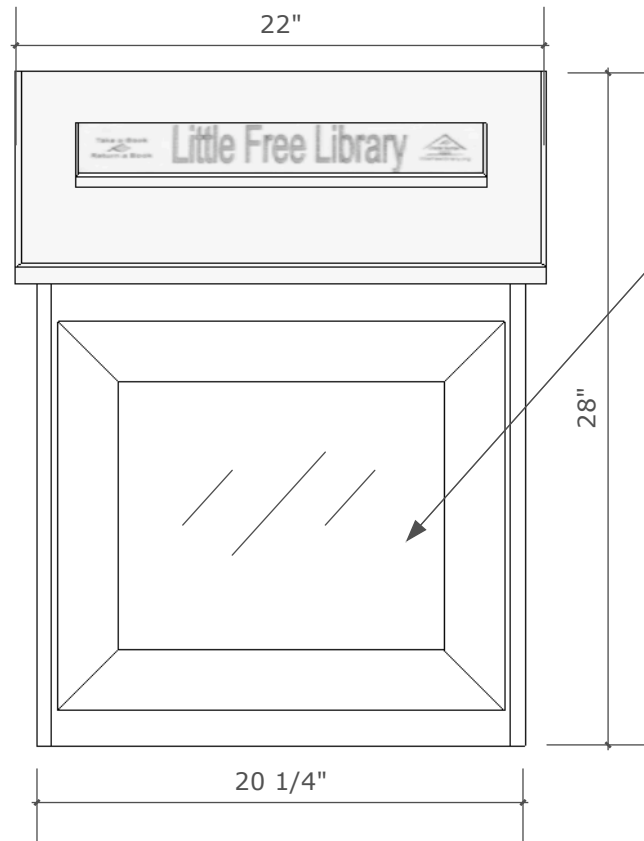


Perspective View - Back

Not to scale

B
02

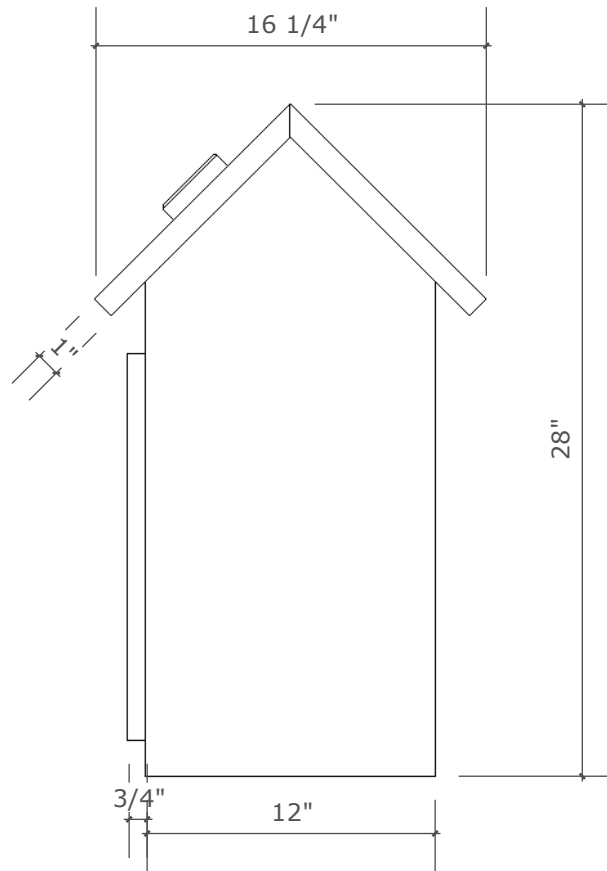




Front

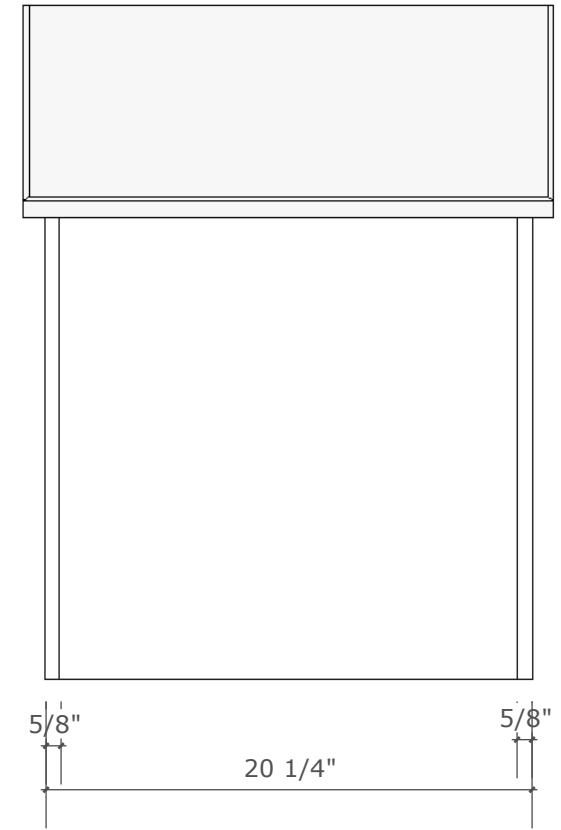
scale: 1 1/2"=1'

Use plexiglass, not regular glass.
It's safer and will last a lot longer.



Right

scale: 1 1/2"=1'



Back

scale: 1 1/2"=1'

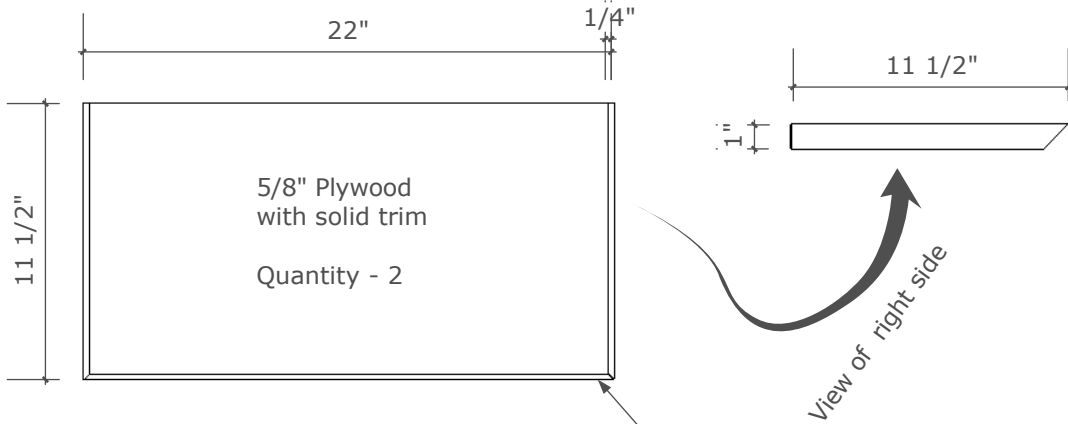
A
03

C
03

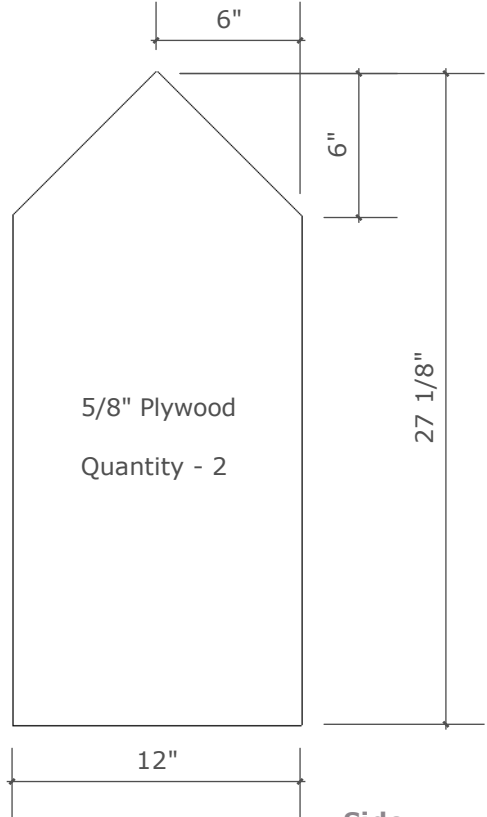
B
03

These dimensions are not set in stone. If you want to have two shelves rather than just one, you can do it!



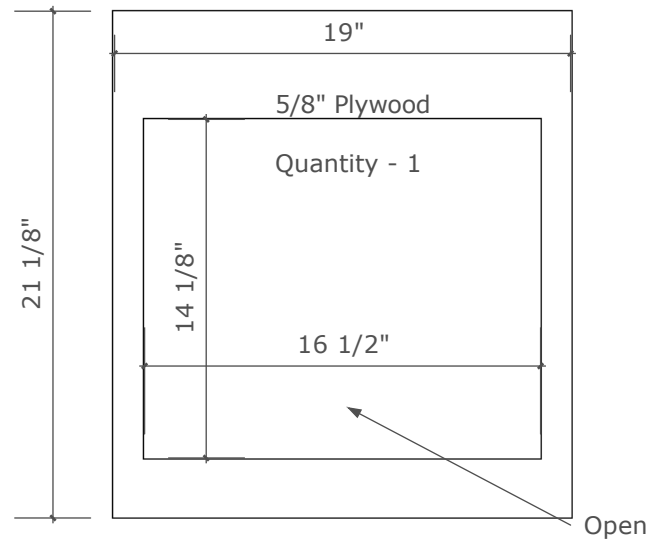


Top
 A
 04
 scale: 1 1/2"=1'

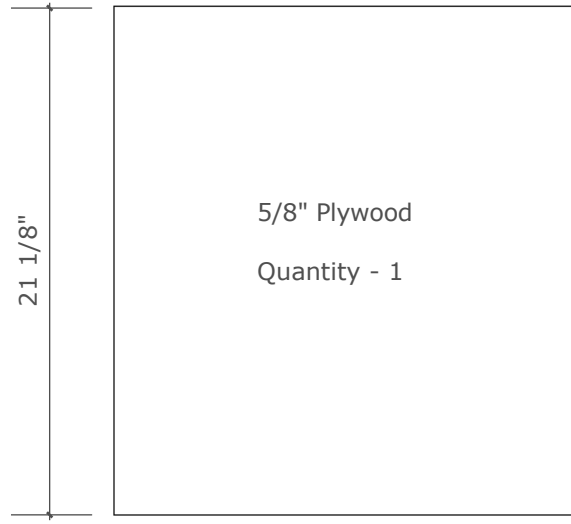


Side
 C
 04
 scale: 1 1/2"=1'

1/4" x 1" solid trim

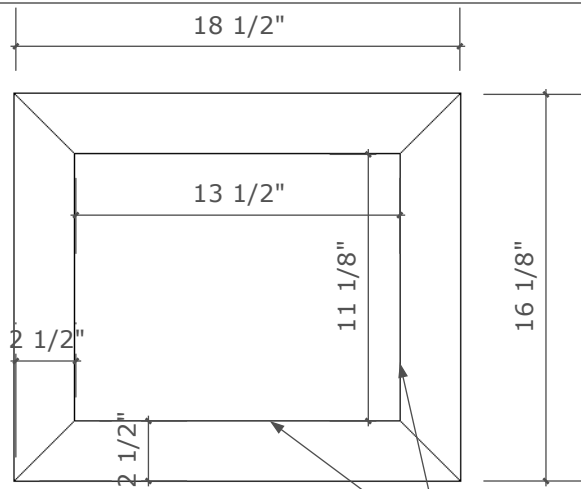


Front
 B
 04
 scale: 1 1/2"=1'



Back
 D
 04
 scale: 1 1/2"=1'



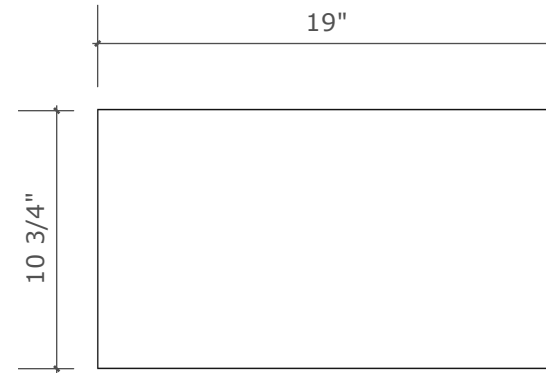


Grooved or rabbited
to accept transparent
plexiglass

Door

scale: 1 1/2"=1'

A
05



Bottom

scale: 1 1/2"=1'

B
05

For technical assistance and tips, see the Neighborhood
Library Builders Guild group on Facebook.

www.facebook.com/pages/Neighborhood-Library-Builders-Guild

